



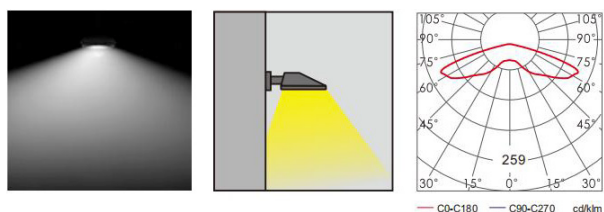
# TLI-WL102

SURFACE MOUNTED Flood LIGHT

## TECHNICAL

Materials of Optics	PC
Materials of Housing	Aluminium
Light Source	CREE/Osram
Color Temperature	3000/4000/5000k
Luminous Efficiency@4000K	93Lm/W
CRI	>85
Beam Angle(°)	120°
Lifetime(hr)	40,000h
Product Finishing	Black

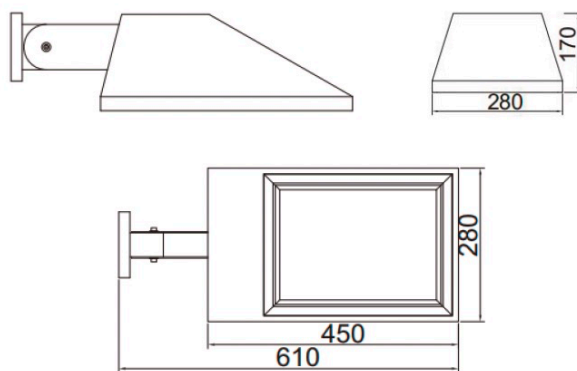
## OPTICS



## FEATURES & BENEFITS

CCT Selection DIP Switch	-
LED Driver	24V
Dimming Option	Triac/ DALI/ 0-10V
Ingress Protection (IP Rating)	IP 20
Power Factor (PF)	≥0.9
Certification	SAA/RoHS/CE/CB

## DIMENSION



## DATA SHEET

CODE	WATT	INPUT VOLTAGE	DIMENSION(mm)	LUMEN(±5%)
TLI-WL102	18W/27W/36W	AC220V	610X280X170	1674/2511/3348lm